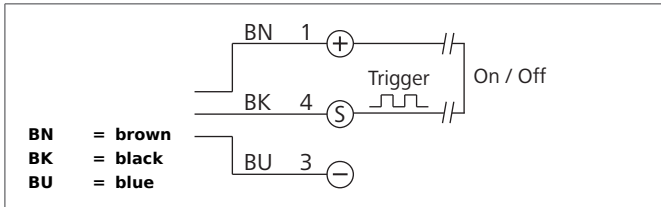


MB-DIM 2 PWM dimmer for machine illuminations

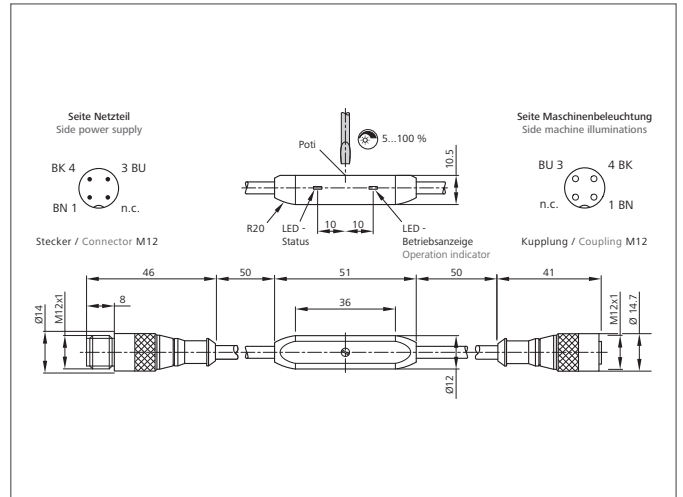
- Perfect adaption of the lighting intensity to the requirements
- Simple handling and commissioning by “plug & play”
- Efficient PWM dimming procedure
- For all machine illuminations with connector
- High maximum rating
- Trigger signal looped



Safety instructions

The Instruments are not to be used for safety applications, in particular applications in which safety of persons depends on proper operation of the instruments.

These instruments shall exclusively be used by qualified personnel.



TECHNICAL INFORMATION (typ.)	
Operating principle	+20°C, 24V DC Pulse-Width Modulation (PWM)
Characteristics	Plug & Play capable, Trigger input
Maximum rating	4.000 mA max.
Service voltage	24 V DC ± 5%
Internal power consumption	< 20 mA, (24 V DC)
Adjustment illumination intensity	Potentiometer, 5...100%
Trigger input	pin 4
Shock-/vibration load	10 ... 55 Hz / 1,0 mm / 30 g
Inverse polarity protection	Yes
Display	LED: green - operation, yellow - status
Ambient temperature	-20 ... +70 °C
Protection class	IP 67
Protection degree	III, operation on protective low voltage
For	Machine illuminations with connector M12
Casing material	plastics
Connection	Connector M12 straight to Socket M12 straight, 3-poled
Scope of delivery	Dimmer and fastening clip